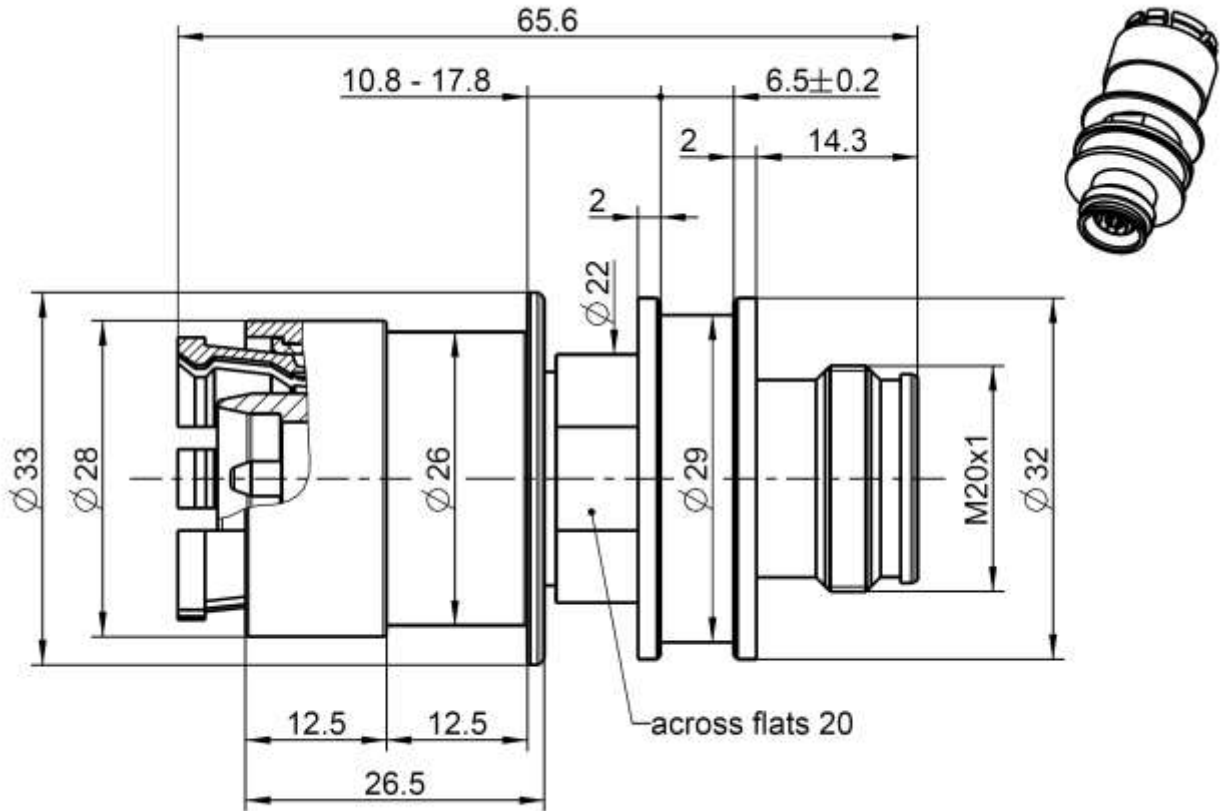


4.3-10

Adaptor
Plug QuickLock - Jack

64QS164-K01D3



All dimensions are in mm; tolerances according to ISO 2768 m-H

Interface

According to IEC 61169-54

Documents

N/A

Material and Plating

Connector parts

- Center contact jack side
- Center contact plug side
- Outer contact jack side
- Outer contact plug side
- Body
- Dielectric
- Gasket

Material

- CuBe
- CuBe or equiv.
- Brass
- CuBe or equiv.
- Brass
- PTFE
- Silicone

Plating

- Silver, 3-6 µm
- Gold, min. 1.27 µm, over chemical nickel
- Silver, 3-6 µm
- Gold, min. 1.27 µm, over chemical nickel
- Flash white bronze over silver(e.g. Optargen®)

Dieses Dokument ist urheberrechtlich geschützt • This document is protected by copyright • Rosenberger Hochfrequenztechnik GmbH & Co. KG

RF_35/08.13/6.1

4.3-10

Adaptor
Plug QuickLock - Jack

64QS164-K01D3

Electrical Data

Impedance	50 Ω
Frequency	DC to 6 GHz
Return loss	≥ 40 dB @ DC to 2 GHz ≥ 30 dB @ 2 to 6 GHz
Insertion loss	≤ 0.3 dB
Insulation resistance	≥ 5 GΩ
Center contact resistance	≤ 1.0 mΩ
Outer contact resistance	≤ 1.0 mΩ
Test voltage	2500 V rms
Working voltage	500 V rms
RF-leakage	≥ 110 dB @ DC to 6 GHz for tool tightened plugs ≥ 90 dB @ DC to 3 GHz for tool-less plugs ≥ 70 dB @ DC 3 to 6 GHz for tool-less plugs
Power handling (at 90 °C, altitude 3000m)	500 W @ 2.0 GHz
Intermodulation (3 rd order)	≥ 165 dBc (2 x 43 dBm) @ 0.4 – 4.0 GHz

-RL value only valid for the interface-

Mechanical Data

Mating cycles QuickLock side	≥ 10,000 (more than 60,000 with frequent cleaning of interface)
Center contact captivation: axial	> 30 N
Center contact retention force	1.5 - 20 N
Outer contact retention force	4 - 35 N
Engagement force interface plug side	max. 50 N
Disengagement force interface plug side	max. 20 N
Locking force of locking sleeve	max. 50 N
Unlocking force of locking sleeve	max. 20 N
Working range of lock / unlock positions	7 mm
Recommended torque jack side	5 Nm

Environmental Data

Temperature range	5 °C to 40 °C indoor
Thermal shock	IEC 60169-1, Sub-clause 16.4
Corrosion resistance	ISO 21207 method B
Vibration	IEC 61169-1 9.3.3 and IEC 60068-2-64
Shock	IEC 61169-1 9.3.14
RoHS	compliant

Tooling

N/A

Suitable Cables

N/A

Weight

175 g/pc

While the information has been carefully compiled to the best of our knowledge, nothing is intended as representation or warranty on our part and no statement herein shall be construed as recommendation to infringe existing patents. In the effort to improve our products, we reserve the right to make changes judged to be necessary.

Draft	Date	Approved	Date	Rev.	Engineering change number	Name	Date
Rong Fang	29.11.2019	Rong Fang	04.02.2020	100	20-0005	B. Wollitzer	04.02.2020
Rosenberger Hochfrequenztechnik GmbH & Co. KG P.O.Box 1260 D-84526 Tittmoning Germany www.rosenberger.de						Tel. : +49 8684 18-0 Fax : +49 8684 18-499 Email : info@rosenberger.de	
						Page 2 / 2	