

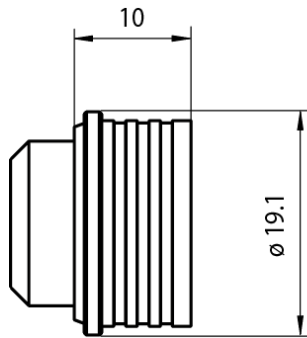
**Technical Data**

**Rosenberger**

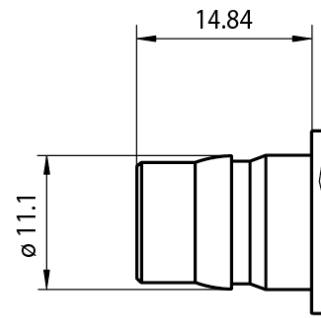
153Q

QN (50 Ω)

153Q-000-000\_TD



MALE



FEMALE

**Interface**

According to

QLF® (Quick Lock Formula)

Rosenberger is an authorized QLF® manufacturer

Dieses Dokument ist urheberrechtlich geschützt • This document is protected by copyright • Rosenberger Hochfrequenztechnik GmbH & Co. KG

RFB00035

Draft	Date	Approved	Date	Rev.	Engineering Change Number	Name	Date
Chr. Janßen	11.03.2019	Chr. Janßen	16.07.2019	b00	19-1313	J_Krautenbac	15.07.2019
Rosenberger Hochfrequenztechnik GmbH & Co. KG P.O. Box 1260 D-84526 Tittmoning Germany www.rosenberger.com					Tel. : +49 8684 18-0 Email : info@rosenberger.com		Page 1 / 2

## Technical Data

# Rosenberger

153Q

QN (50 Ω)

153Q-000-000\_TD

### Electrical data

Impedance	50 Ω
Frequency range	DC to 11 GHz
Return loss (cable connector straight)	≥ 32 dB @ DC to 3 GHz ≥ 25 dB @ 3 GHz to 6 GHz ≥ 20 dB @ 6 GHz to 11 GHz
Insertion loss	≤ 0.05 x √ f [GHz] dB
Insulation resistance	≥ 5 GΩ
Center contact resistance	≤ 1.5 mΩ
Outer contact resistance	≤ 1.5 mΩ
Test voltage	2500 V rms
Working voltage	1000 V rms
Power handling	300 W @ 2.5 GHz
RF-leakage - Interface	≥ 90 dB @ DC to 3 GHz ≥ 80 dB @ 3 GHz to 6 GHz
Intermodulation 3rd order	≤ -155 dBc (2 x 43 dBm)

### Mechanical data

Mating cycles	≥ 100
Interface retention force	≥ 450 N
Engagement force	30 N (typ.)
Disengagement force	30 N (typ.)
Pitch	≥ 20 mm

### Environmental data

Temperature range	-40 °C to +125 °C
Thermal shock	IEC 60169-1, Sub-clause 16.4 (-40 °C / +125 °C)
Degree of protection (mated pair)	IEC 60529, IP 68
Corrosion resistance	MIL-STD-202, Method 101, Condition B
Vibration	MIL-STD-202, Method 204, Condition A
Shock	MIL-STD-202, Method 213, Condition I
Max. soldering temperature (PCB connectors)	IEC 61760-1, +260 °C for 10 sec.

### Materials

#### Connector parts

	Material	Plating
Spring loaded contact parts	CuBe / CuSn	Au
Center contact	CuZn	Au
Outer contact	CuZn	white bronze
Body	CuZn	white bronze
Locking sleeve	CuZn	white bronze
Crimping ferrule	Cu	white bronze
Dielectric	PTFE	
Gasket	Silicon	

While the information (including technical data) has been carefully compiled to the best of our knowledge at the time of publication, the information is provided "AS IS" without warranties of any kind either express or implied. Apart from this, no statement herein shall be construed as recommendation to infringe existing patents. Individual values may deviate depending upon circumstances including but not limited to application, design, type of cable, assembly and workmanship. Furthermore, we reserve the right to change the design and technical specification of our products when deemed necessary.

Draft	Date	Approved	Date	Rev.	Engineering Change Number	Name	Date
Chr. Janßen	11.03.2019	Chr. Janßen	16.07.2019	b00	19-1313	J_Krautenbac	15.07.2019
Rosenberger Hochfrequenztechnik GmbH & Co. KG P.O. Box 1260 D-84526 Tittmoning Germany www.rosenberger.com					Tel. : +49 8684 18-0 Email : info@rosenberger.com		Page 2 / 2