

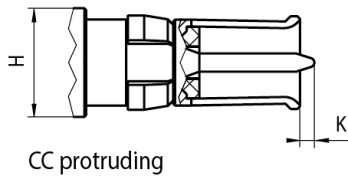
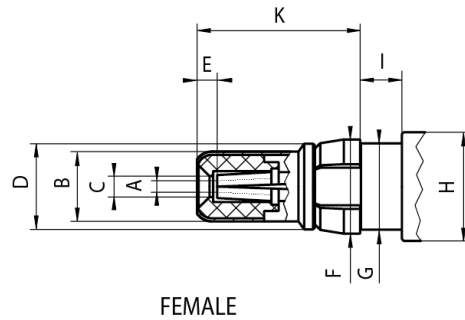
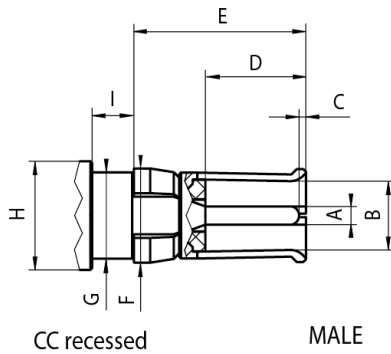
Technical Data

Rosenberger

55

Insert Coax D-Sub

55-000-000_TD



| | Male | | Female | |
|---|--------|----------------------|--------|----------------------|
| | min. | max. | min. | max. |
| A | Ø 0.99 | Ø 1.01 | 1) 2) | |
| B | 1) 2) | | Ø 3.85 | |
| C | 0.10 | 0.50 | – | Ø 1.20 |
| D | 5.45 | 5.65 | – | Ø 4.75 |
| E | 9.35 | 9.50 | 0.90 | 1.10 |
| F | – | Ø 5.25 | – | Ø 5.25 |
| G | Ø 4.76 | Ø 4.79 | Ø 4.76 | Ø 4.79 |
| H | – | Ø 6.00 ³⁾ | – | Ø 6.00 ³⁾ |
| I | 2.22 | 2.40 | 2.22 | 2.40 |
| K | 0.40 | 0.80 | 8.85 | 9.00 |

Dimensions in mm

¹⁾ Contact diameter refers to 50 Ω

²⁾ Resilient, dimension to meet electrical and mechanical requirements

³⁾ Square shape optional

Interface

According to

D-Sub

Dieses Dokument ist urheberrechtlich geschützt • This document is protected by copyright • Rosenberger Hochfrequenztechnik GmbH & Co. KG

RFB00035

| Draft | Date | Approved | Date | Rev. | Engineering Change Number | Name | Date |
|--|------------|-------------|------------|------|---------------------------|--|---------------|
| Chr. Janßen | 06.03.2019 | Chr. Janßen | 06.03.2019 | a00 | 19-s083 | J_Krautenbac | 12.03.2019 |
| Rosenberger Hochfrequenztechnik GmbH & Co. KG P.O. Box 1260 D-84526 Tittmoning Germany www.rosenberger.com | | | | | | Tel. : +49 8684 18-0 Email : info@rosenberger.com | |
| | | | | | | | Page 1 / 2 |

Technical Data**Rosenberger**

55

Insert Coax D-Sub

55-000-000_TD**Electrical data**

| | |
|--|---|
| Impedance | 50 Ω |
| Frequency range | DC to 2 GHz |
| Return loss (cable connector straight) | ≥ 30 dB @ DC to 0.1 GHz ≥ 20 dB @ 0.1 GHz to 0.5 GHz ≥ 14 dB @ 0.5 GHz to 2 GHz |
| Insertion loss | ≤ 0.1 x √ f [GHz] dB |
| Insulation resistance | ≥ 10 GΩ |
| Center contact resistance | ≤ 10 mΩ |
| Outer contact resistance | ≤ 3 mΩ |
| Test voltage | 1500 V rms |
| Working voltage | 500 V rms |
| RF leakage - Interface | ≥ 80 dB @ DC to 0.5 GHz ≥ 65 dB @ 0.5 GHz to 1.5 GHz |

Mechanical data

| | |
|----------------------------------|---------------|
| Mating cycles | ≥ 50 |
| Connector captivation in plastic | ≥ 52 N |
| Center contact captivation | axial: ≥ 10 N |
| Engagement force | ≤ 10 N |
| Disengagement force | ≤ 10 N |

Environmental data

| | |
|---|----------------------------------|
| Temperature range | -55 °C to +125 °C |
| Dry heat | IEC 60068-2-2 |
| Damp heat | IEC 60068-2-78 |
| Climatic category | IEC 60068-2-1 55/125/21 |
| Max. soldering temperature (PCB connectors) | IEC 61760-1, +260 °C for 10 sec. |

Materials

| Connector parts | Material | Plating |
|-----------------------------|----------|---------|
| Spring loaded contact parts | CuBe | Au |
| Center contact | CuZn | Au |
| Outer contact | CuZn | Au |
| Crimping ferrule | Cu | Au |
| Clip | CuBe | Ni |
| Dielectric | PTFE | |

While the information (including technical data) has been carefully compiled to the best of our knowledge at the time of publication, the information is provided "AS IS" without warranties of any kind either express or implied. Apart from this, no statement herein shall be construed as recommendation to infringe existing patents. Individual values may deviate depending upon circumstances including but not limited to application, design, type of cable, assembly and workmanship. Furthermore, we reserve the right to change the design and technical specification of our products when deemed necessary.

| Draft | Date | Approved | Date | Rev. | Engineering Change Number | Name | Date |
|--|------------|-------------|------------|------|--|--------------|---------------|
| Chr. Janßen | 06.03.2019 | Chr. Janßen | 06.03.2019 | a00 | 19-s083 | J_Krautenbac | 12.03.2019 |
| Rosenberger Hochfrequenztechnik GmbH & Co. KG P.O. Box 1260 D-84526 Tittmoning Germany www.rosenberger.com | | | | | Tel. : +49 8684 18-0 Email : info@rosenberger.com | | Page 2 / 2 |